

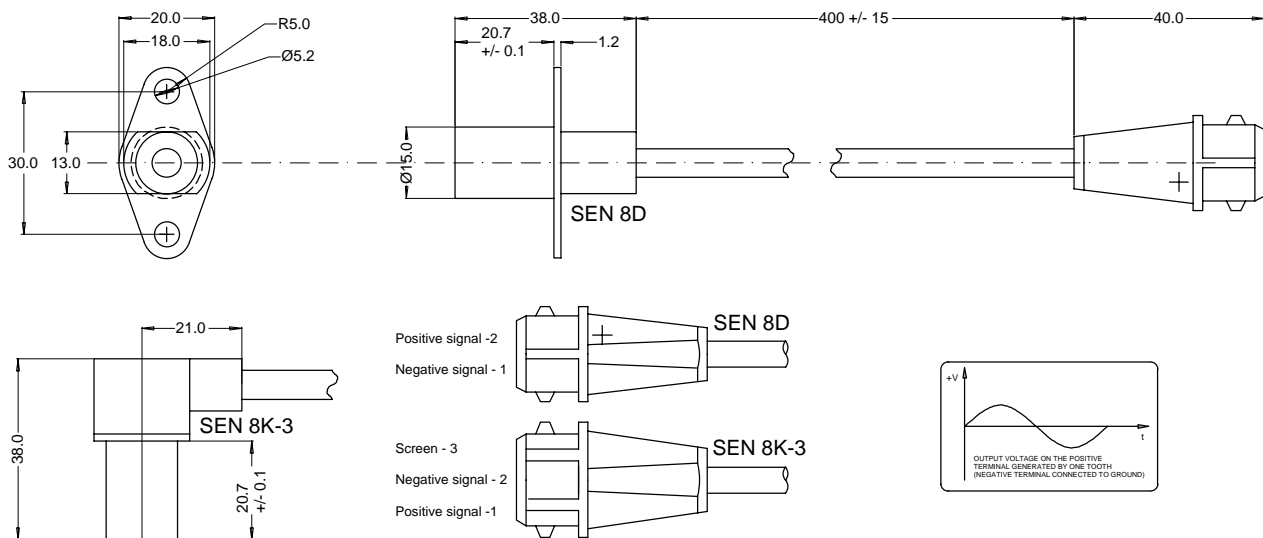
# SEN xx

Inductive Speed / RPM sensor range



## Description

A range of cost effective inductive sensors for speed detection of ferrous toothed wheels. Features include a PA 6.6 GFR case, silicon extension lead and moulded 2 pin Minitimer connection.

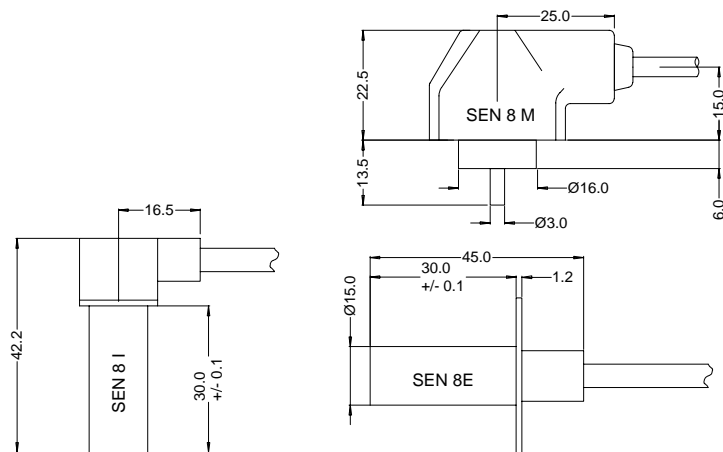


## Technical Data

Typical application ..... Crank, Cam wheel \*  
 Operating temperature ..... +125 °C max  
 Air gap ..... 0.5 > 1.0 mm  
 Speed range ..... 40 > 12000 rpm\*  
 Output at 40 rpm ..... >400 mV pk-pk\*\*  
 Weight ..... 60 g

\* Contact factory to check tooth wheel arrangement  
 \*\* With reference toothed wheel

**SEN8E / SEN8D3 / SEN8I / SEN8M also available**



## Ordering information

Part No.	Description	Order code
SEN 8D	Inductive revolution sensor – straight cable entry – short reach – 2 pin version	64820083010
SEN 8D-3	Inductive revolution sensor – straight cable entry – short reach – 3 pin version	64820171010
SEN 8K-3	Inductive revolution sensor – right angle cable entry – short reach – 3 pin version	64820167010
SEN 8E	Inductive revolution sensor – straight cable entry – long reach – 2 pin version	64820084010
SEN 8I	Inductive revolution sensor – right angle cable entry – long reach – 2 pin version	64820088010
SEN 8M	Inductive revolution sensor – right angle cable entry – short probe – 2 pin version	64820150010

For further details please contact

MM Competition Systems Ltd  
 Unit 3, Old Station Business Park,  
 Compton, Berkshire,  
 RG20 6NE  
 England

Tel: +44 (0)8707 444 666  
 Fax: +44 (0)8707 444 888  
 www.mmcompsys.com  
 mail@mmcompsys.com